



## Parks Department Council Report

### Parks Department Updates

- News:
  - The Movements first presentation was a success. We had ~30 in attendance
  - License Pest Applicator as of 1/28/19
  - Meeting with OHM February 8<sup>th</sup> to discuss concepts plan information for Citizens Park. We have a CIP Project for the parking lot. Once we have a concept and approve of it we will be able
  - PAB and the parks manager are preparing an eagle scout project policy.
- Project Updates
  - **Liberty Park**
    - We will be using HULL for bid packaging service. Awaiting proposal. We are anticipating putting the job out to bid the first week in April.
    - Nature Play Area: I have met with Steve Brown with Metro Parks and he will be meeting with myself and BJ in February to discuss the possibility of using their Landscape Architect plans for some of the amenities that have in their nature playgrounds. More news to come regarding the nature play area.
    - **Our mission for this project is to maximize what we can add to the park. Scott Haines and I will be meeting at the site to walk the property and use the concept plan created by OHM to produce construction plans that will be used during the bidding process.**
  - **Foundation Park bathroom improvements:**
    - Bathroom updates will take place late February to early March. We will add new partitions to the bathrooms, refinish the walls and paint them. New bathroom fixtures will be added to each as well.
  - **Foundation Park Holding Tank CIP**
    - Working with EC Babbert: Quote attached in report. Full installation with plumbing will most likely be completed by Ventura Brothers. They will coordinate with the contractor to set a date to drop the holding tank into place.
    - Waiting for Ventura Brother quote. Once I receive and review we will coordinate to schedule install in late February-early march. Work must be completed prior to start of soccer practices March 17<sup>th</sup>.
  - Upcoming Events:
    - Check out the website calendar (Working on placing all parks and recreation events online for the community) Adding this is crucial and will give our residents direction

### Future planning and thoughts for the Parks and Recreation Dept.:

1. Outdoor education classes offered by the city will include the following.
  - Passport to fishing program: **Brightwater Anglers Derby (July 7<sup>th</sup>)**
2. Licking County Recycling: Reached out and will be working with outreach coordinator for programs etc. at our local activities and events.
3. Parks and Recreation Interns/Coordinators
  - I will be attending the Ohio University Career and internship fair February 13<sup>th</sup>

ORIGINAL

# Product Quotation

On Target for Quality Precast Concrete  
Products And Waste Water Treatment  
Systems



January 17, 2019

<b>Attention:</b>	Estimator
<b>Job Name:</b>	Foundation Park
<b>Location:</b>	Pataskala
<b>Company:</b>	

QUAN.	ID	DESCRIPTION	Unit Price	Extension
1	HT-1500	1500 Gallon Non-Traffic Rated	\$1,683.00	\$1,683.00
1	A-PAK	A-PAK High water alarm	\$221.72	\$221.72
	BR24	24" ID x 14" Bell Riser	68.95/ea	
	BR24	24" ID x 8" Bell Riser	58.95/ea	
	BRL	24' Bell lid	25.00/ea	
	CS-102	1/2" X 21' Mastic	\$4.00	\$0.00
	GR	Grade Rings (per inch)	\$9.00	\$0.00
	DELIVERY	Pataskala	\$0.00	\$0.00
<b>Sales Tax Not Included</b>				
<b>SUBTOTAL:</b>				<b>\$1,904.72</b>
Interceptor is delivered to the job site & unloaded				

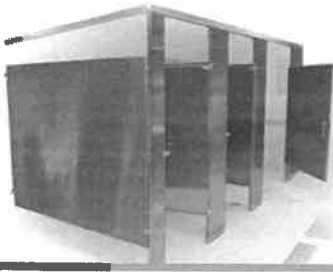
Terms: (With approved credit)

Net Due 30 Days From Date of Invoice

1. Quoted prices are firm for 30 days. Subject to repricing for planset revisions.
2. Unless otherwise stated, all materials are quoted delivered and unloaded at the jobsite. Setting to be done by others.
3. Interceptors are delivered to the job site and set in customer's prepared excavation, if accessible with our trucks. One hours is allotted for setting, additional time is \$95.00/hour.
4. If the site is not accessible with our trucks, the interceptor (or tank) shall be set off and the setting shall be the responsibility of the customer. Any lifting or handling equipment left at the job site shall be signed for by the customer and shall be returned within 24 hours. Additional charges will be added to the invoice for the cost of any lifting equipment not returned promptly.
5. Unit prices are theoretical values based on the lump sum cost and do not represent the value of any individual structure.
6. Unless otherwise stated, cast iron access cover, mechanical components, pipe, epoxy coating/liner and sales tax are NOT included in the quoted price.
7. Authorization for repairs must be obtained from this office prior to any action or remedy. No consideration is given without prior authorization.

Thank you,

Joe Bowie  
 Joe Bowie  
 E.C. Babbert Inc.  
 7415 Diley Rd. NW  
 Canal Winchester, Ohio 43110  
 (614) 837-8444



# **ONE POINT**

## **PARTITIONS**

**(800) 756-6817**

## **Restroom Partition Quote #191433.2**

Qty: 3 Restroom Stalls w/ Doors, Floor Mounted/Overhead Braced, Std. Hardware  
Qty: 1 Urinal Screen, Wall Mounted , Std. Hardware



**MADE IN THE USA**  
We won't be undersold by import partitions, Contact us for details.

**Laminate : \$2,028.00 Delivered**

Based on drawings # 191433.2 dated 01/28/19

Quote date: 01/28/19

**INCLUDES:** Material, Hardware & Delivery

Leadtime: **DELIVERED ONSITE** for Colors listed on our website **5-7 Business Days**

**Colors:** Click Chart on right for color options



**COLORS**

Click here for the order form:

[Order Form](#)

### **Your Partition Expert:**

**Jhoana Soriano**

jhoana @onepointpartitions.com

www.onepointpartitions.com

**Direct Line: 615-823-2807**

**Fax #: 1-615-823-8113**

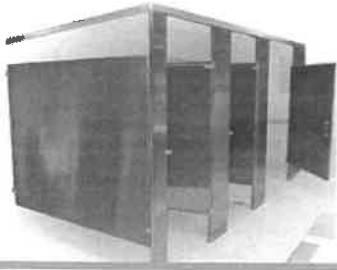
### **Customer Info**

**Email: Lcrawford@ci.pataskala.oh.us**

**Ship Zip:43062**

### **The fine print:**

Quote is valid for **30 days**. Returns and cancellations after manufacturing has started will not be re-funded due to the custom nature of the product and cost of shipping. By submitting any form of payment you agree to have confirmed final drawing dimensions sent by One Point. One Point cannot responsible for incorrect order measurements, improper installation, or damage after partitions have been received. Bracing and blocking is to be provided by others. Manufacturing and ship times are estimates and may vary. Any product warranties are those of their manufacturer and do transfer to the buyer. Partitions will be shipped via LTL semi truck freight. Any damage or missing material must be noted on delivery ticket to be covered. Any additional freight services, such as inside delivery and re-delivery, are not included unless specially included in the quote. Thank you!



# ONE POINT PARTITIONS (800) 756-6817

## Restroom Partition Quote #191433.2

Qty: 3 Restroom Stalls w/ Doors, Floor Mounted/Overhead Braced, Std. Hardware  
Qty: 1 Urinal Screen, Wall Mounted , Std. Hardware



**MADE IN THE USA**  
We won't be undersold by import partitions, Contact us for details.

**Laminate : \$2,028.00 Delivered**

Based on drawings # 191433.2 dated 01/28/19

Quote date: 01/28/19

**INCLUDES:** Material, Hardware & Delivery

Leadtime: DELIVERED ONSITE for Colors listed on our website 5-7 Business Days

**Colors:** Click Chart on right for color options



COLORS

Click here for the order form:

Order Form

### Your Partition Expert:

**Jhoana Soriano**

jhoana @onepointpartitions.com

www.onepointpartitions.com

**Direct Line: 615-823-2807**

**Fax #: 1-615-823-8113**

### Customer Info

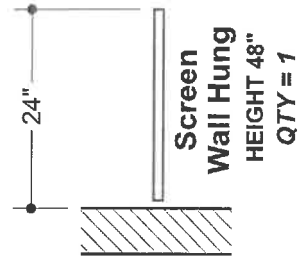
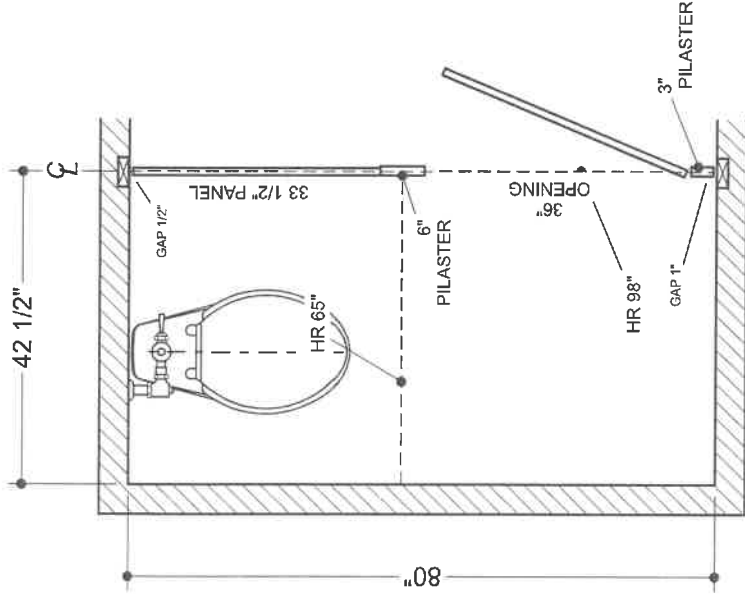
Email: Lcrawford@ci.pataskala.oh.us

Ship Zip:43062

### **The fine print:**

Quote is valid for 30 days. Returns and cancellations after manufacturing has started will not be re-funded due to the custom nature of the product and cost of shipping. By submitting any form of payment you agree to have confirmed final drawing dimensions sent by One Point. One Point cannot responsible for incorrect order measurements, improper installation, or damage after partitions have been received. Bracing and blocking is to be provided by others. Manufacturing and ship times are estimates and may vary. Any product warranties are those of their manufacturer and do transfer to the buyer. Partitions will be shipped via LTL semi truck freight. Any damage or missing material must be noted on delivery ticket to be covered. Any additional freight services, such as inside delivery and re-delivery, are not included unless specially included in the quote. Thank you!

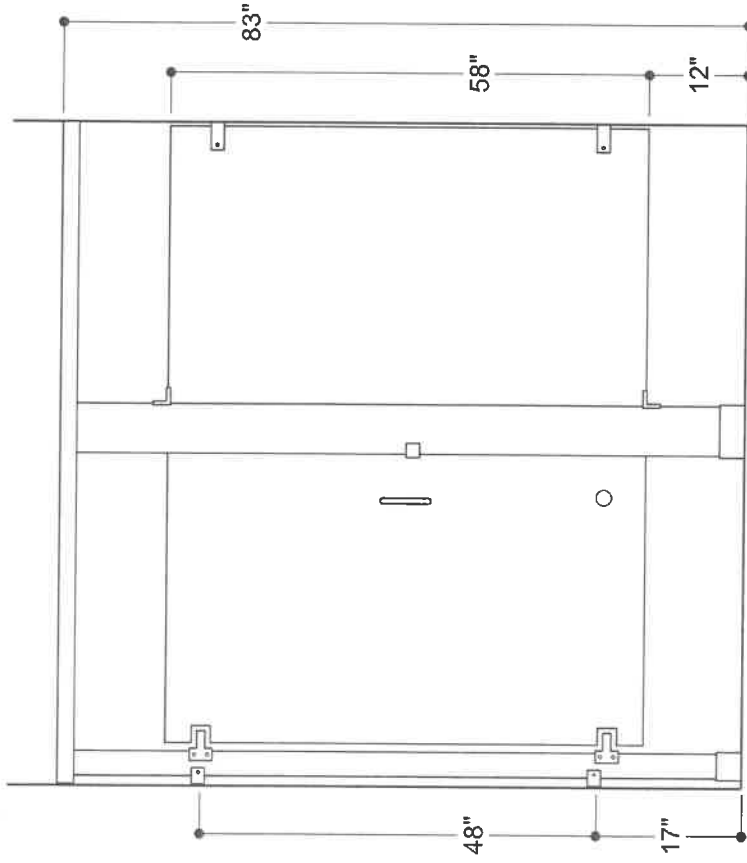
1 OF 4  
 Project #: 191433  
 Version #: 3  
 Date: 1/28/2019



- Consult with your local officials for ADA and plumbing code compliance. Each locality differs in interpretation and enforcement of guidelines and codes.
- If Elevation Drawings are needed please email us your request.
- HR (Head Rail) attaches to top of Pilasters and to adjacent walls at 82" from floor.
- HR size shown refers to length of Head Rail. HR is cut on jobsite to size needed.
- Overall Depth shown is from Back Wall to Face of Partition.
- Doors are cut 3/8" less than listed Door Opening for hardware.

Layouts: Mens  
 Room Qty: 1 THUS  
 Style: Overhead Braced  
 Material: Laminate  
 Color: TBD

**ONE POINT PARTITIONS**  
 800.756.6817 - Toll Free (ask for Jhoana)  
 615.823.2807 - Direct line  
 jhoana@onepointpartitions.com 615.261.1433 (fax)



Layouts: Mens  
Room Qty: 1 THUS  
Style: Overhead Braced  
Material: Laminate  
Color: TBD

- Consult with your local officials for ADA and plumbing code compliance, Each locality differs in interpretation and enforcement of guidelines and codes.
- If Elevation Drawings are needed please email us your request.
- HR (Head Rail) attaches to top of Pilasters and to adjacent walls at 82" from floor.
- HR size shown refers to length of Head Rail. HR is cut on jobsite to size needed.
- Overall Depth shown is from Back Wall to Face of Partition.
- Doors are cut 3/8" less than listed Door Opening for hardware.