

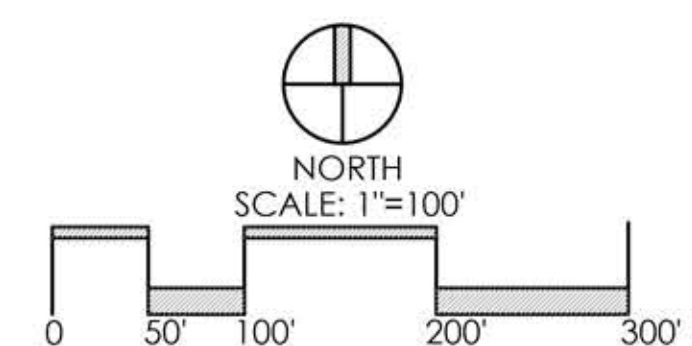


SITE DATA

TOTAL ACRES	±46.59 AC
TOTAL UNITS	269
TOWNHOMES	96
RANCH STYLE HOMES	173
DENSITY	±5.77 UN/AC

CONCEPT DEVELOPMENT PLAN
HAZELTON-ETNA ROAD
 PREPARED FOR CIMINELLO LAND CO.

DATE: 7.29.24



Faris Planning & Design
 LAND PLANNING LANDSCAPE ARCHITECTURE
 4876 Cemetery Road Hilliard, OH 43026
 p.(614) 487-1964 www.farisplanninganddesign.com